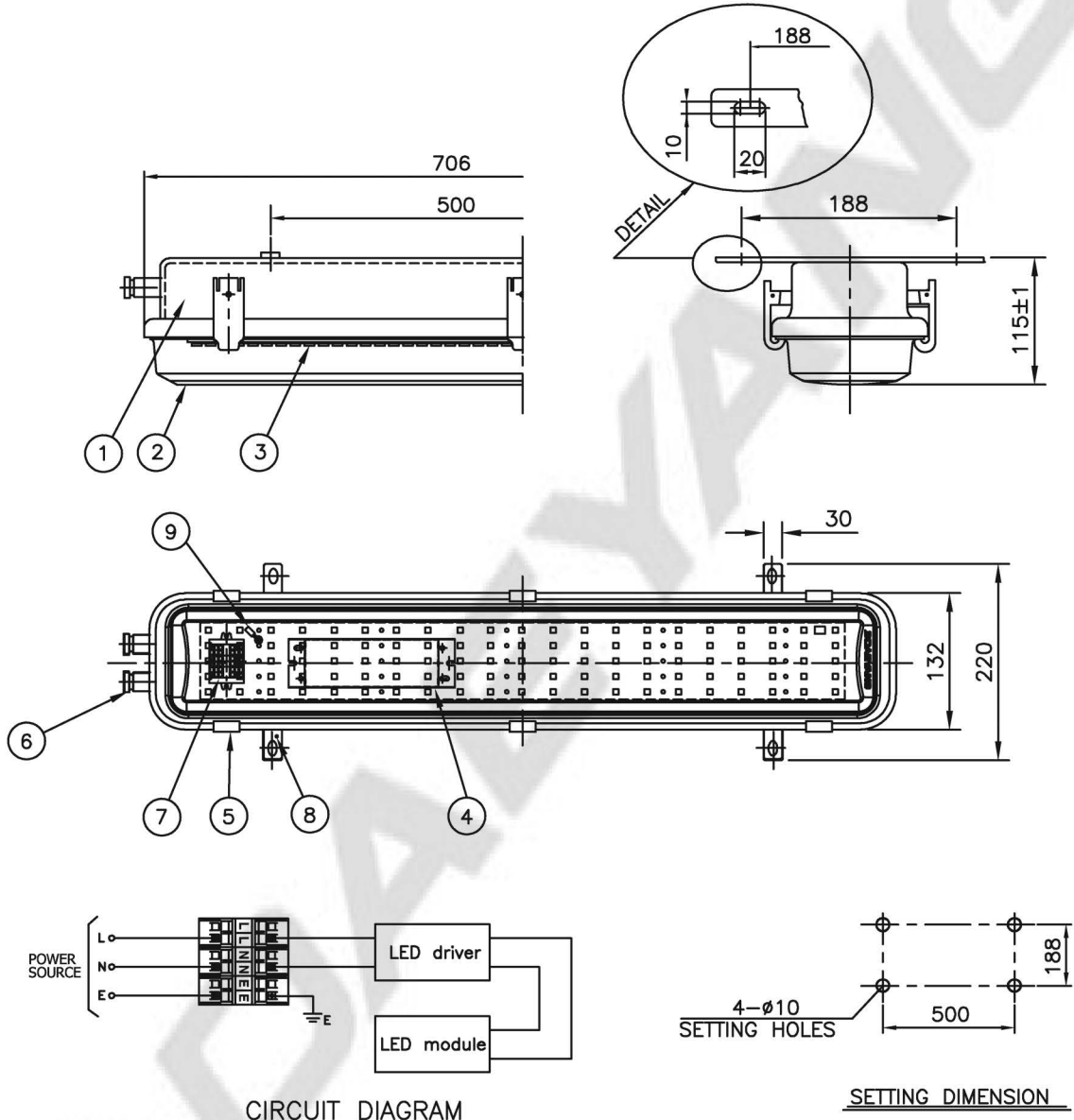


CAPACITY	SYMBOL/ SERIAL NO.	CIRCUIT DIAGRAM
AC100-240V, 50/60Hz		
25W		



9	INSIDE EARTH BOLT	STAINLESS STEEL 304	1	M4	5	LATCH	STAINLESS STEEL 316L	6	
8	OUTSIDE EARTH BOLT	STAINLESS STEEL 304	1	M5	4	LED driver	-	1	
7	TERMINAL BLOCK	-	1	CLAMPING 3P	3	LED module	-	1	5,000K±300
6	GLAND GLAND	-	2	ø14~ø17.5	2	GLOBE	POLYCARBONATE	1	MILKY
					1	BODY	STAINLESS STEEL 316L	1	
NO	NAME OF PARTS	MATERIAL	Q'TY	REMARKS	NO	NAME OF PARTS	MATERIAL	Q'TY	REMARKS

APPROVED	B. K. KIM	UNIT	MM
CHECKED	W. J. JI	SCALE	N/S
DRAWING	B. I. KIM	COLOR	N-9.3
DATE	2018.09.11	IP	67

TITLE;  
**LED CEILING LIGHT  
(SURFACE TYPE)  
FOR MARINE USE**

	MODEL NO.	LEB125WS-0550UWNM2GLw17QC50	WEIGHT	3.3 Kg
	DWG NO.	LO1450120	SHEET NO.	16